



Product Features

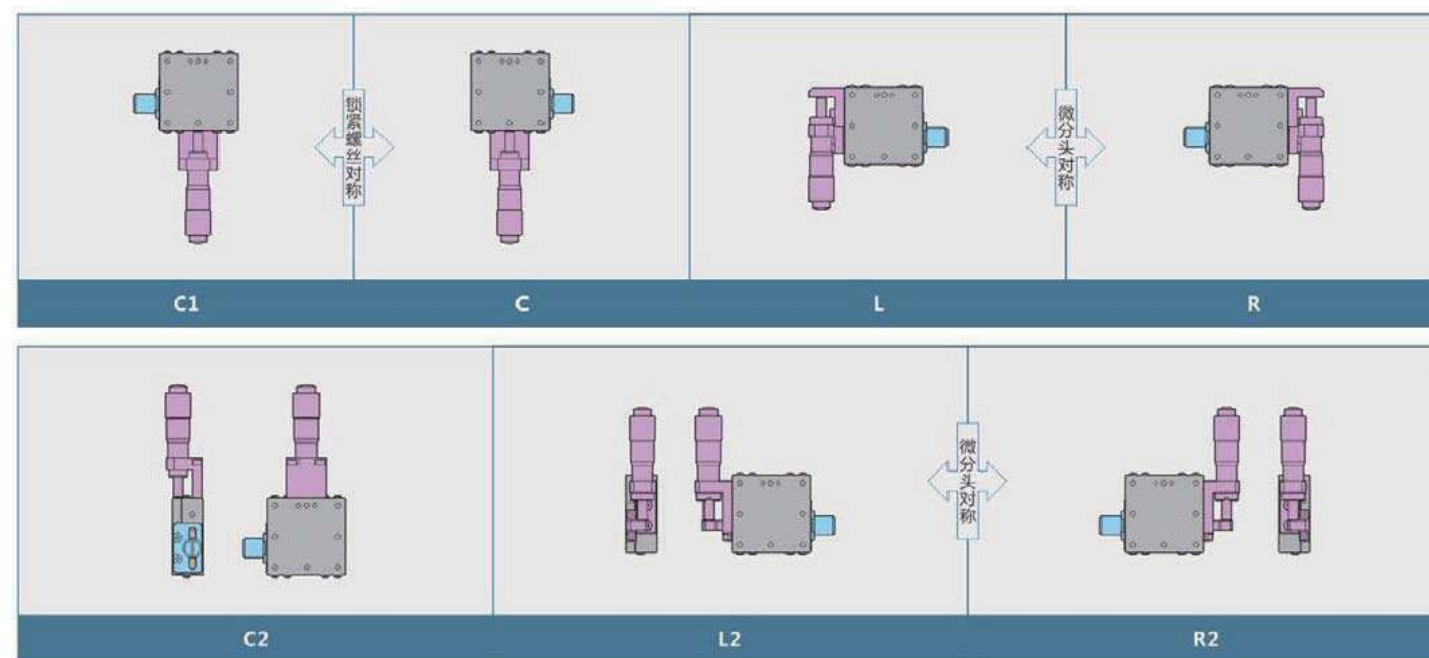
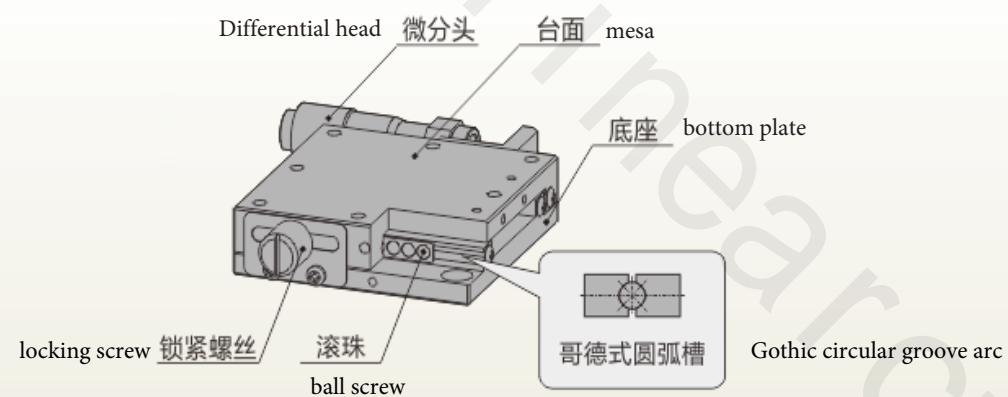
- ▶ The guide rail is directly processed on the upper plate and the lower plate at the same time, and the processing error and assembly error of this structure are very small.
- ▶ With Gothic arc groove, the ball and the track are in 45-degree four-point contact, and this structure can achieve high-precision and smooth movement.
- ▶ The main material is made of SUS440C stainless steel, and the surface is chemically plated with nickel to improve rust resistance.
- ▶ The size of the table is 25~100, and the specifications are various.

Model Description

NB X 60 - L

moving way	moving direction	table size	micrometer head nstallation position
parallel direction, Linear Ball Type	X : One direction of the X axis Y : Both directions of the XY axis V : One direction of Z axis EV: XY axis in both directions DV: XYZ axis three directions	unit:mm	refer to below photo

Product structure





NBX25-C



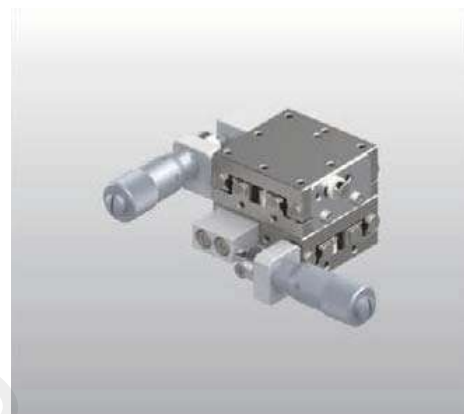
NBX25-L



NBX25-R



NBY25-C



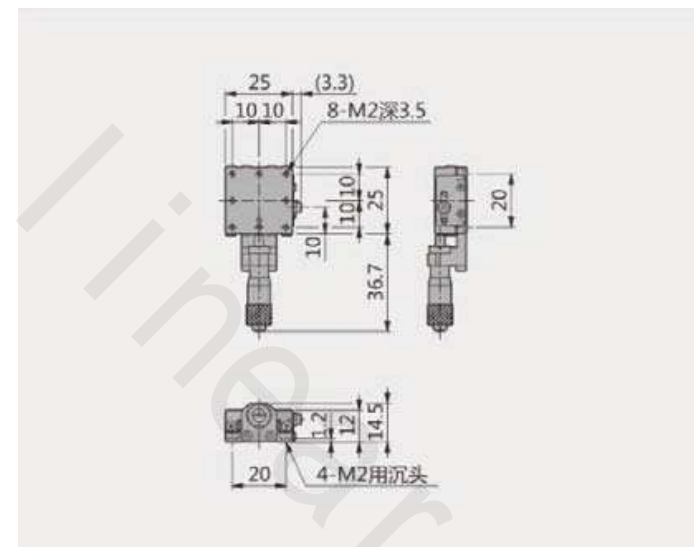
NBY25-L



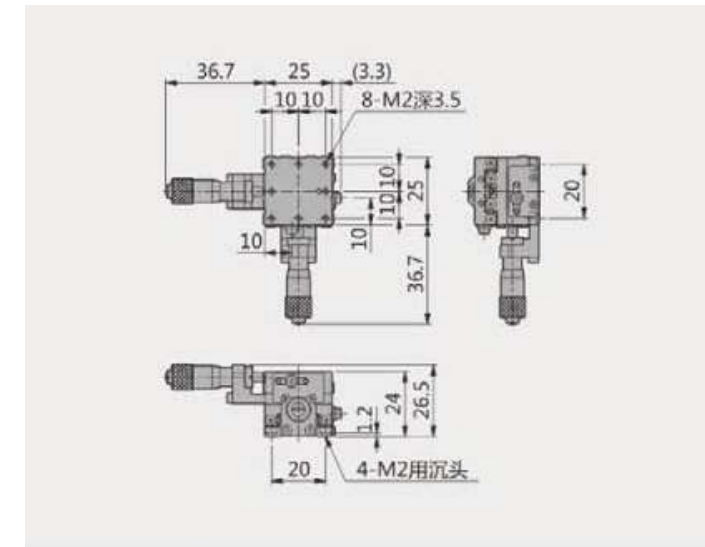
NBY25-R

Specifications

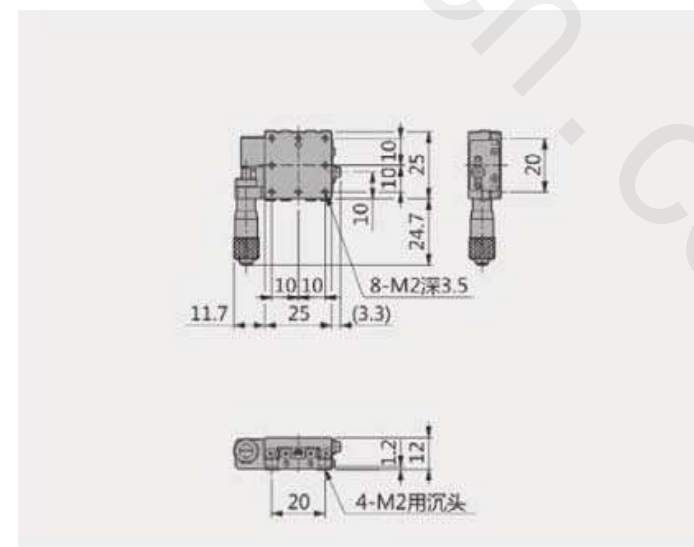
	NBX25-C	NBX25-L	NBX25-R	NBY25-C	NBY25-L	NBY25-R
moving direction	One direction of the X axis			XY axis in both directions		
main material	SUS440C					
drive mode	Differential head					
table size	25mm × 25mm					
table size	12mm			24mm		
stroke	±3mm					
load	39.2N(4kgf)					
minimum scale	0.01mm					
move parallelism	≤ 0.005mm/6mm					
parallelism	0.01mm			0.02mm		
weight	0.07kg			0.14kg		



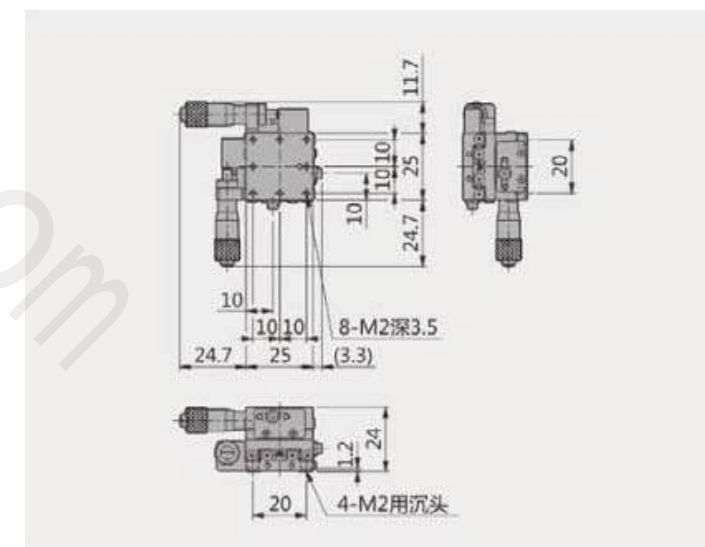
NBX25-C



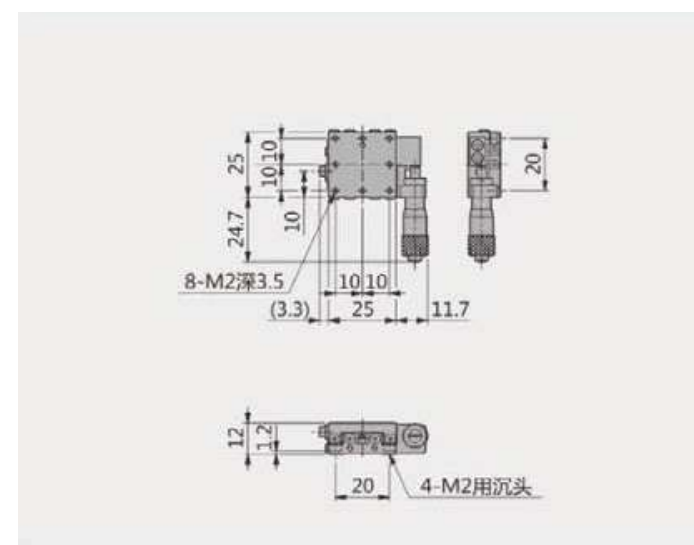
NBY25-C



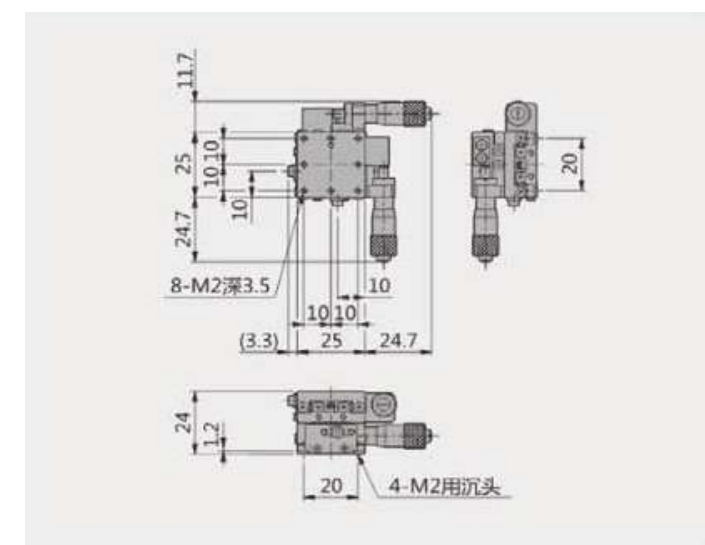
NBX25-L



NBY25-L



NBX25-R



NBY25-R



NBX40-C



NBX40-L



NBX40-R



NBY40-C



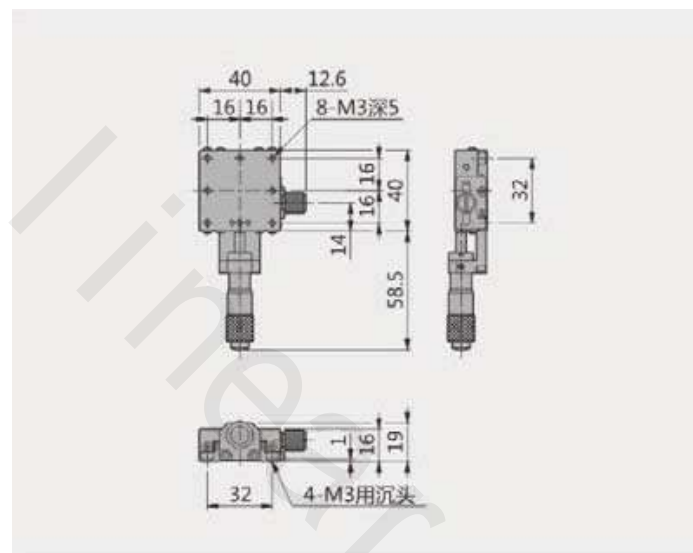
NBY40-L



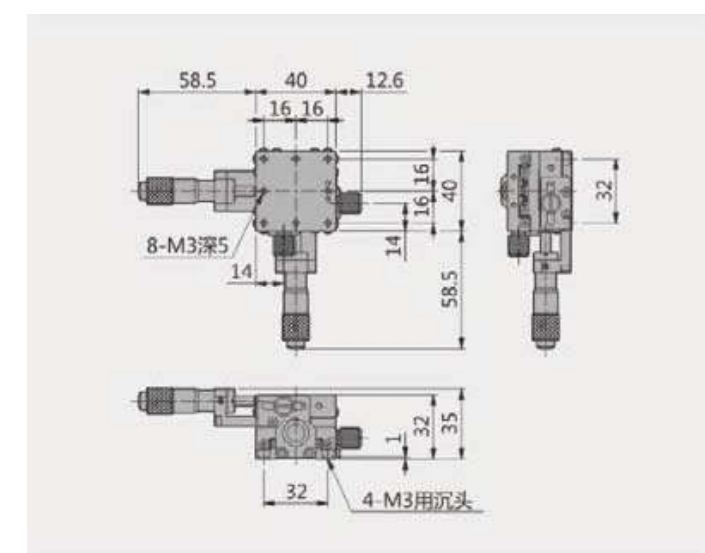
NBY40-R

Specifications

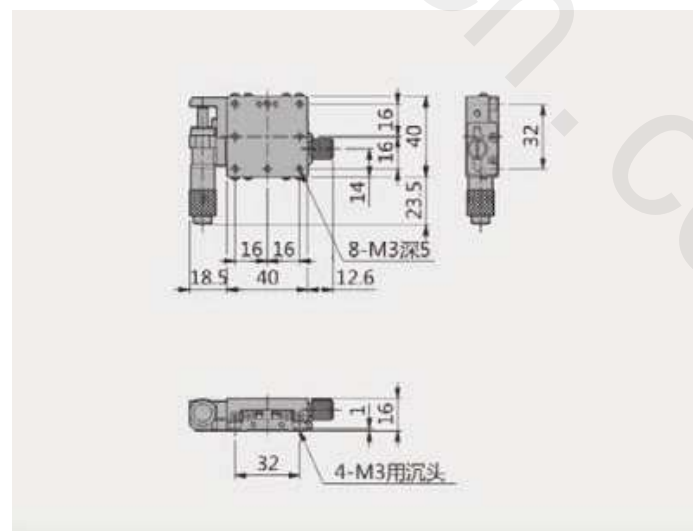
	NBX40-C	NBX40-L	NBX40-R	NBY40-C	NBY40-L	NBY40-R
moving direction	One direction of the X axis			XY axis in both directions		
main material	SUS440C					
drive mode	Differential head					
table size	40mm × 40mm					
table thickness	15mm			30mm		
stroke	±6.5mm					
load	98N(10kgf)					
minimum scale	0.01mm					
move parallelism	> 0.005mm/13mm					
parallelism	0.02mm			0.04mm		
weight	0.23kg			0.46kg		



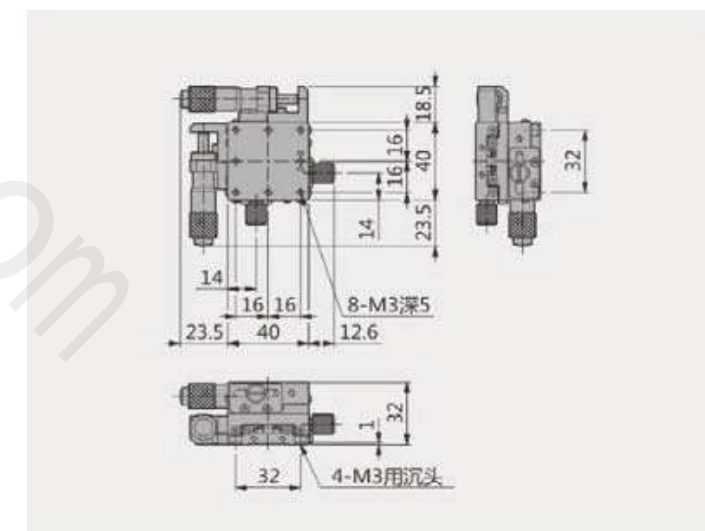
NBX40-C



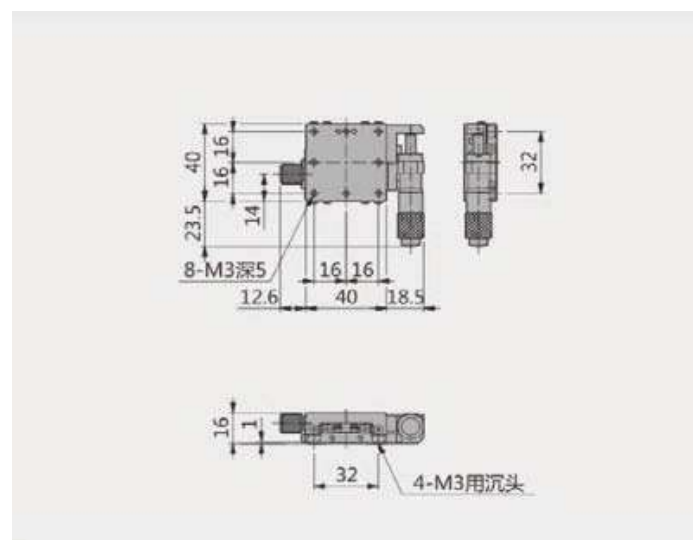
NBY40-C



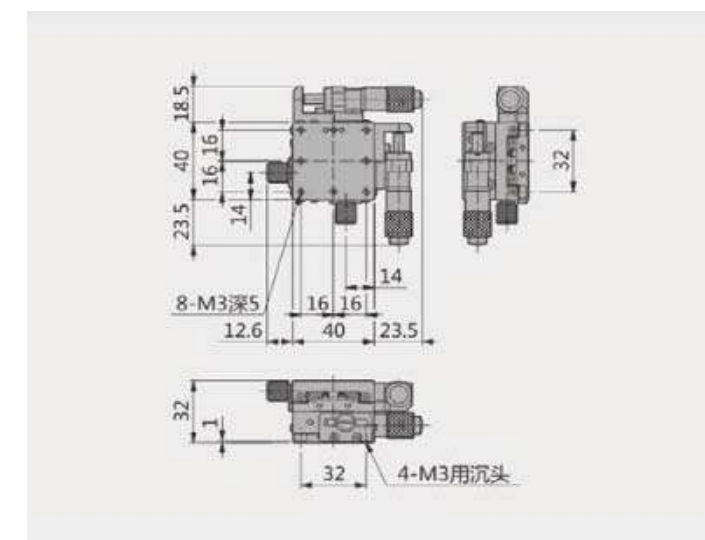
NBX40-L



NBY40-L



NBX40-R



NBY40-R



NBX60-C



NBX60-L



NBX60-R



NBY60-C



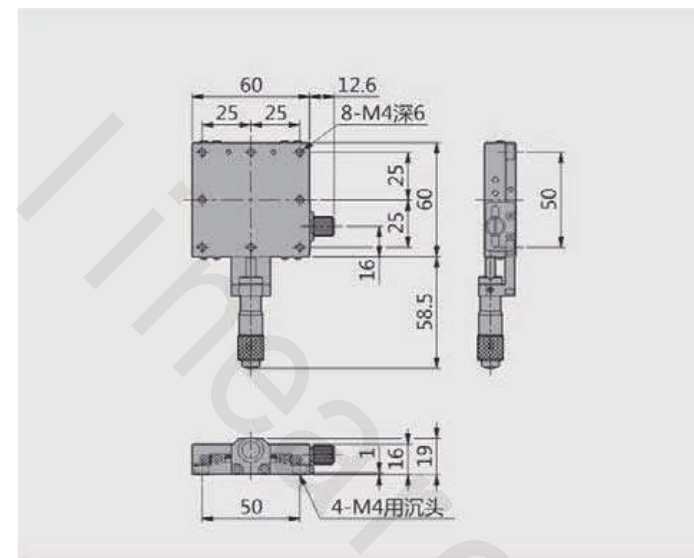
NBY60-L



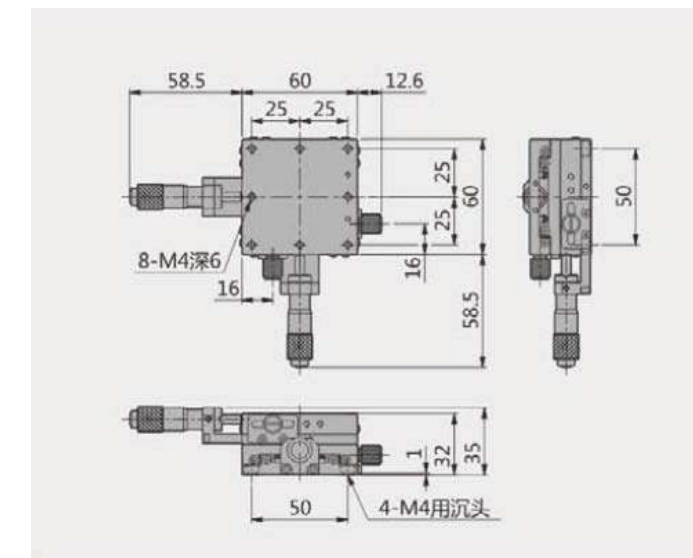
NBY60-R

Specifications

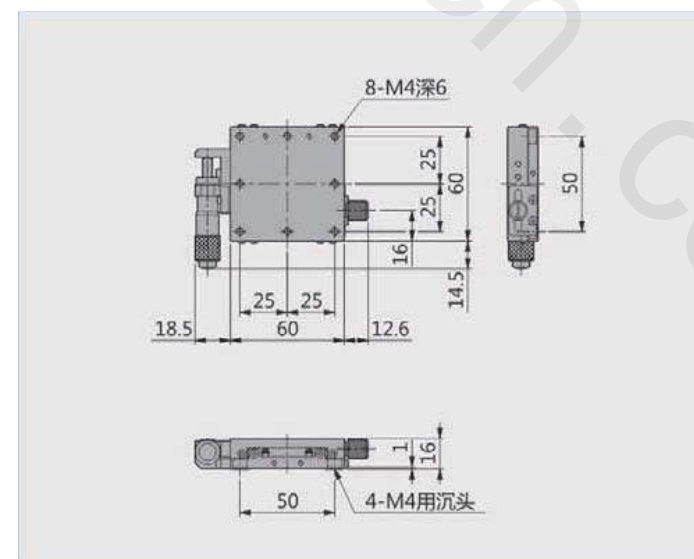
	NBX60-C	NBX60-L	NBX60-R	NBY60-C	NBY60-L	NBY60-R
moving direction	One direction of the X axis			XY axis in both directions		
main material	SUS440C					
drive mode	Differential head					
table size	60mm × 60mm					
table thickness	15mm			30mm		
stroke	±6.5mm					
load	196N(20kgf)					
minimum scale	0.01mm					
move parallelism	> 0.005mm/13mm					
parallelism	0.02mm			0.04mm		
weight	0.4kg			0.8kg		



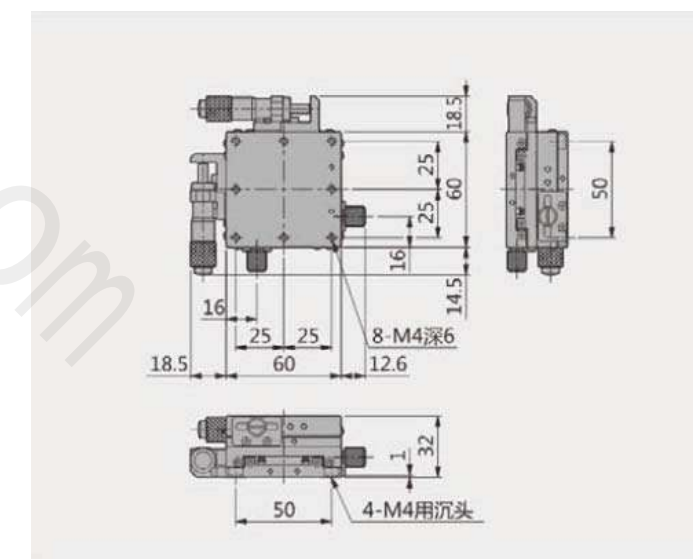
NBX60-C



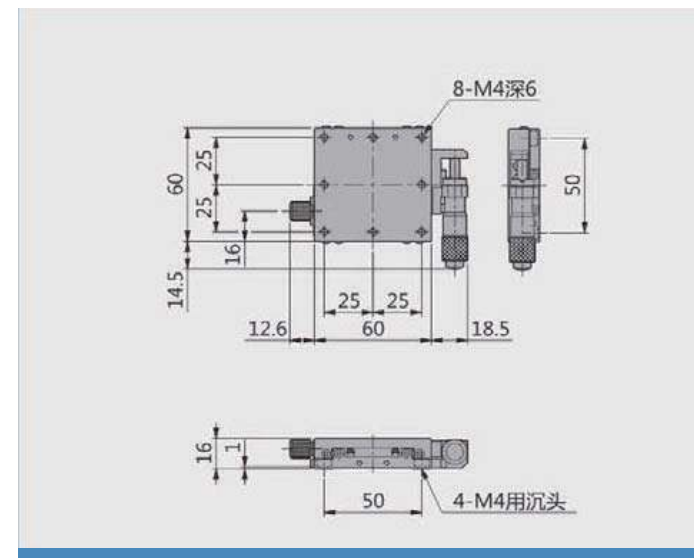
NBY60-C



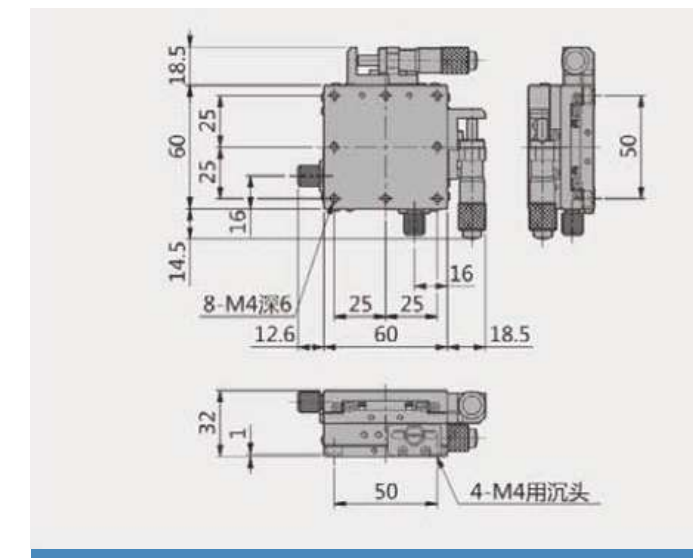
NBX60-L



NBY60-L



NBX60-R



NBY60-R



NBX80-C



NBX80-L



NBX80-R



NBY80-C



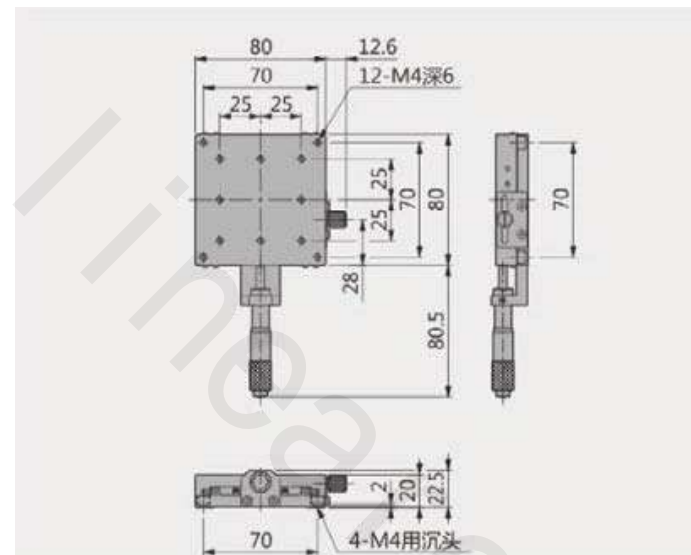
NBY80-L



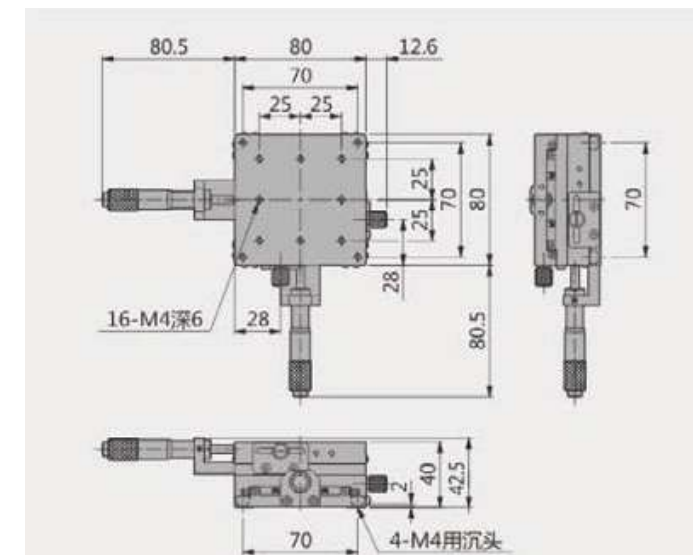
NBY80-R

Specifications

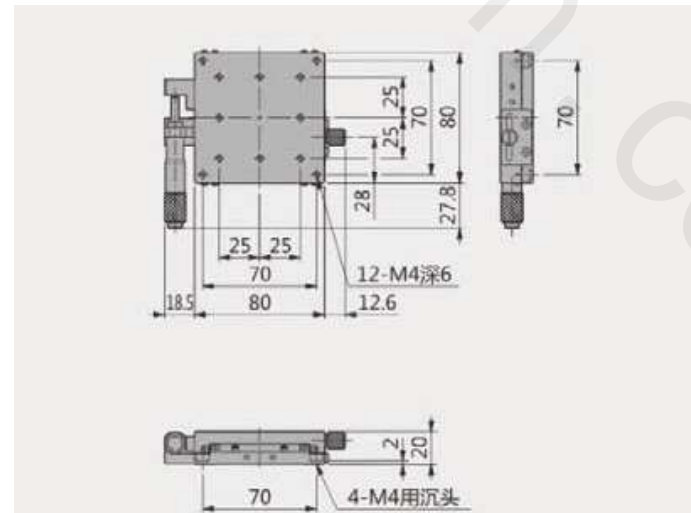
	NBX80-C	NBX80-L	NBX80-R	NBY80-C	NBY80-L	NBY80-R
moving direction	One direction of the X axis			XY axis in both directions		
main material	SUS440C					
drive mode	Differential head					
table size	80mm×80mm					
table thickness	20mm			40mm		
stroke	±12.5mm					
load	264.6N(27kgf)					
minimum scale	0.01mm					
move parallelism	> 0.01mm/25mm					
parallelism	0.03mm			0.06mm		
weight	0.90kg			1.80kg		



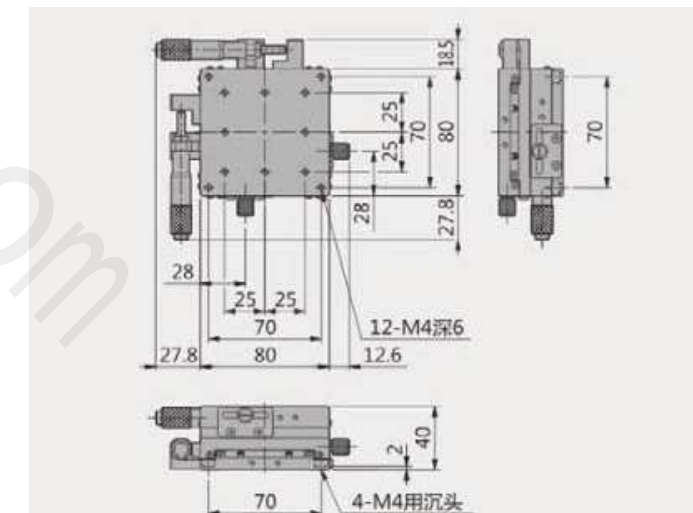
NBX80-C



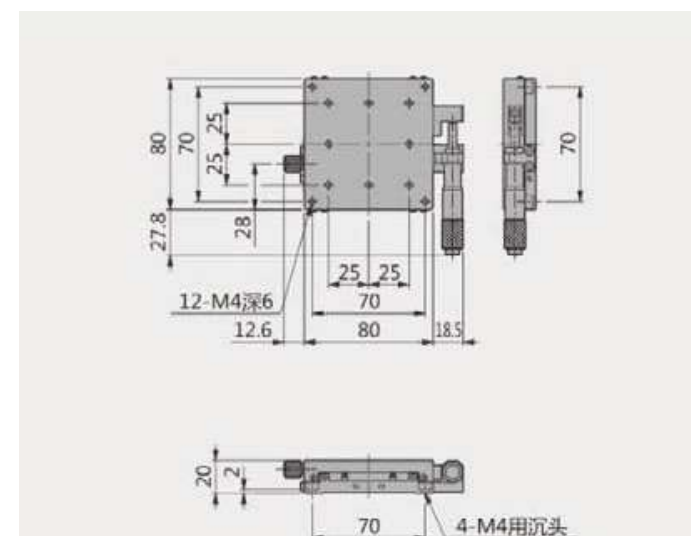
NBY80-C



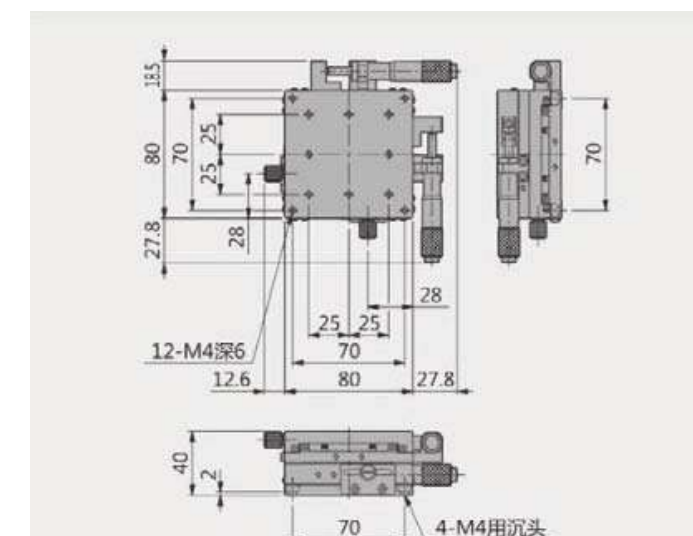
NBX80-L



NBY80-L



NBX80-R



NBY80-R



NBX100-C



NBX100-L



NBX100-R



NBY100-C



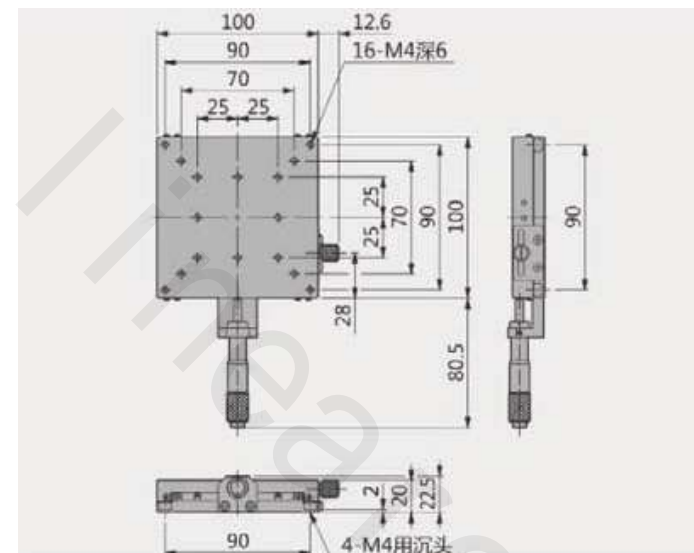
NBY100-L



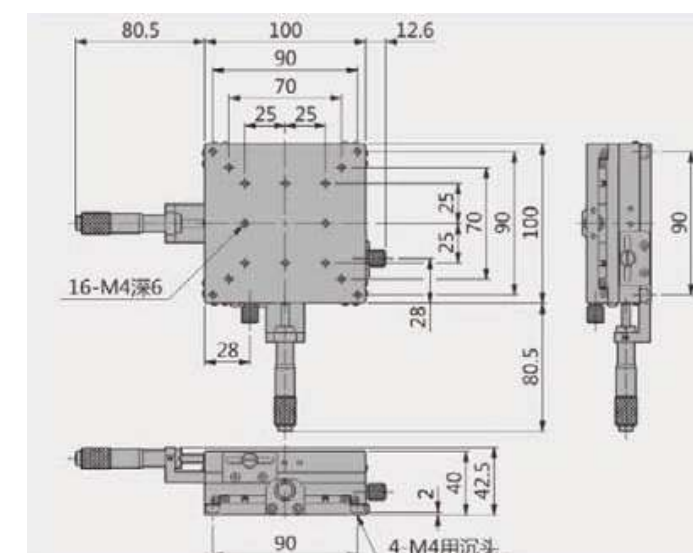
NBY100-R

Specifications

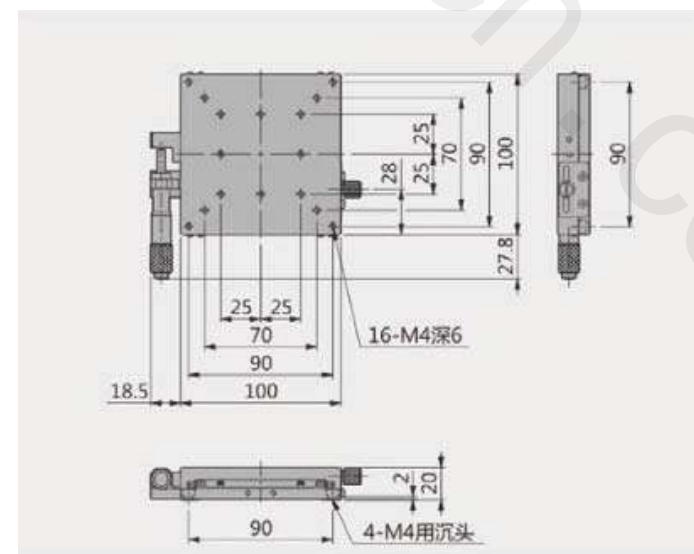
	NBX100-C	NBX100-L	NBX100-R	NBY100-C	NBY100-L	NBY100-R
moving direction	One direction of the X axis			XY axis in both directions		
main material	SUS440C					
drive mode	Differential head					
table size	100mm×100mm					
table thickness	20mm			40mm		
stroke	±12.5mm					
load	343N(35kgf)					
minimum scale	0.01mm					
move parallelism	> 0.01mm/25mm					
parallelism	0.03mm			0.06mm		
weight	1.27kg			2.54kg		



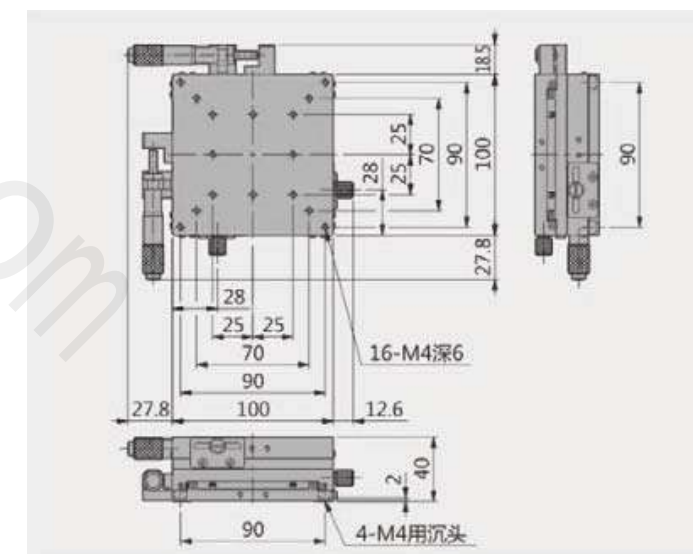
NBX100-C



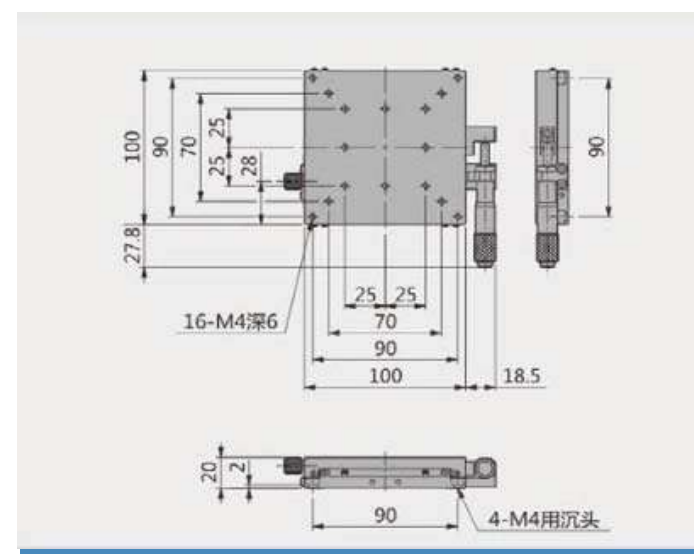
NBY100-C



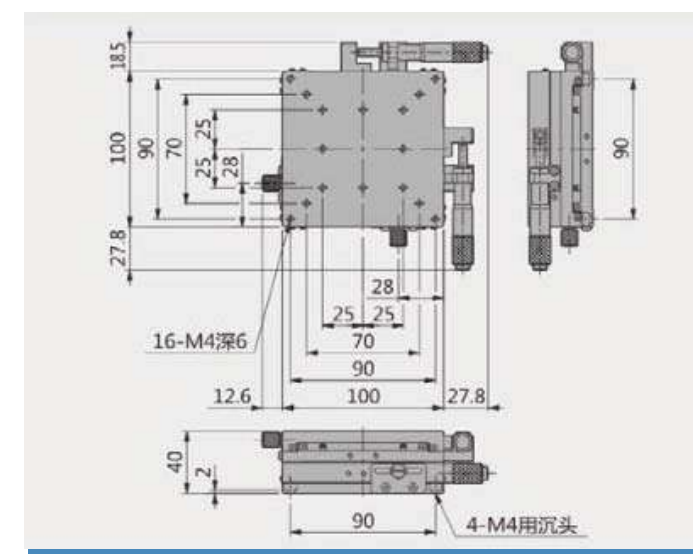
NBX100-L



NBY100-L



NBX100-R



NBY100-R



NBV25-C2



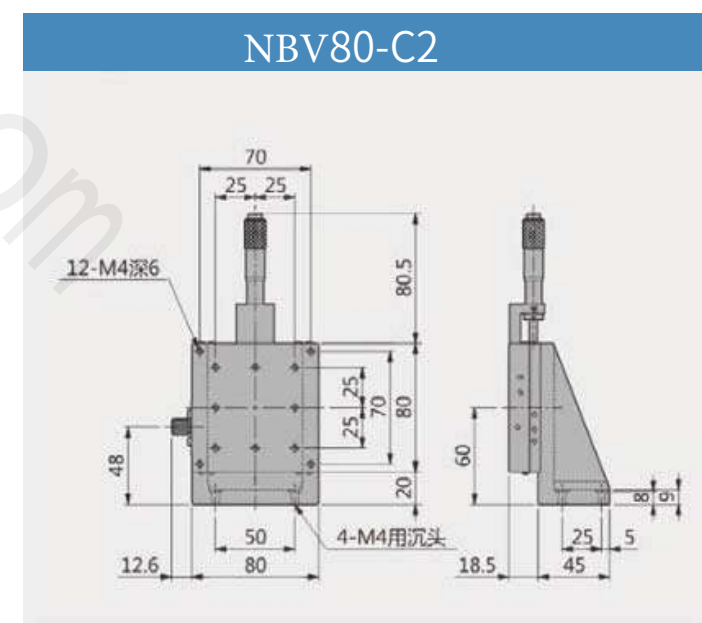
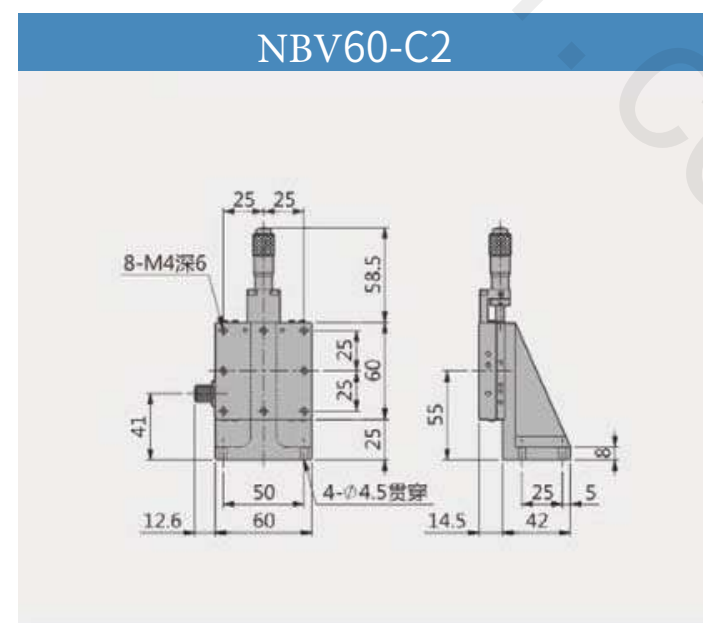
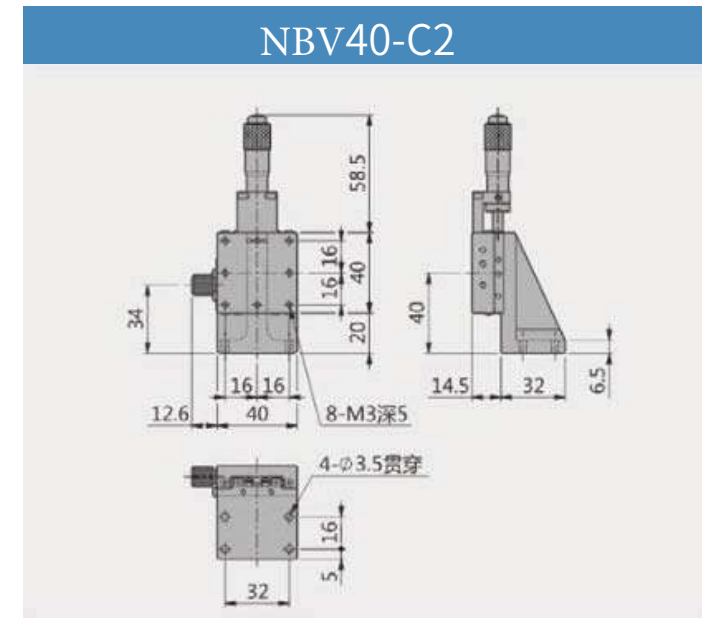
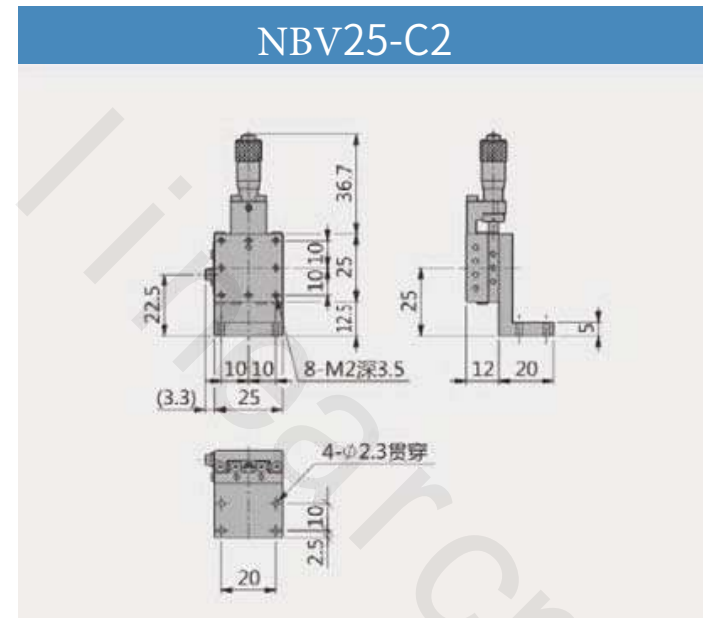
NBV40-C2



NBV60-C2



NBV80-C2



Specifications

	NBV25-C2L	NBV40-C2	NBV60-C2	NBV80-C2
moving direction	One direction of the Z axis			
table size	25mm×25mm	40mm×40mm	60mm×60mm	80mm×80mm
stroke	±3mm	±6.5mm		±12.5mm
load	9.8N(1kgf)	49N(5kgf)		
minimum scale	0.01mm			
parallelism	≤ 0.01mm/6mm	≤ 0.01mm/13mm		≤ 0.02mm/25mm
weight	0.09kg	0.32kg	0.58kg	1.20kg



NBEV25-L-C2



NBEV40-L-C2



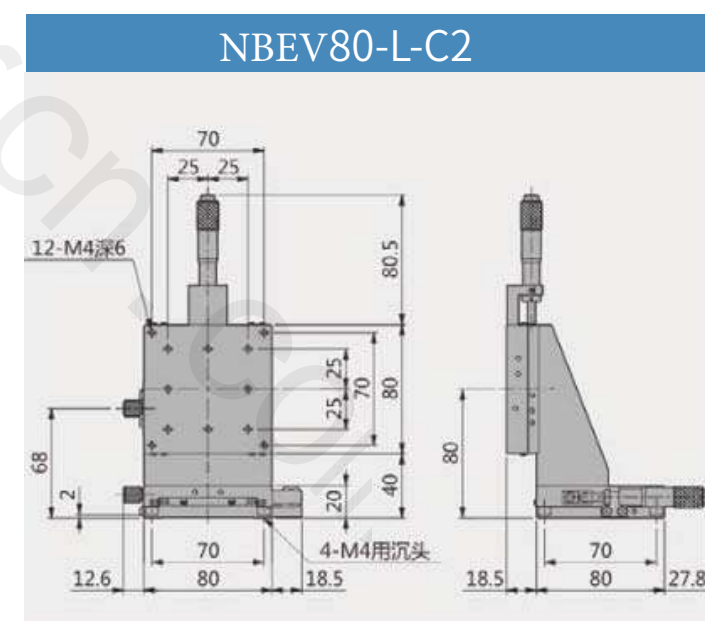
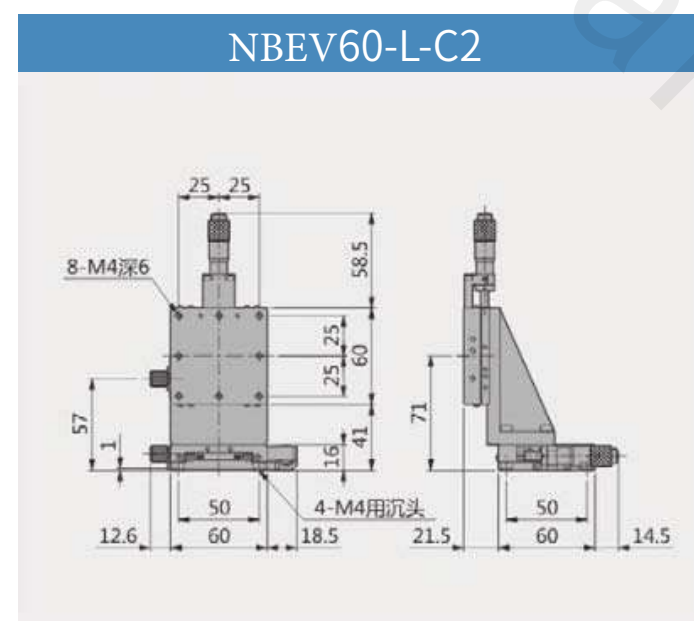
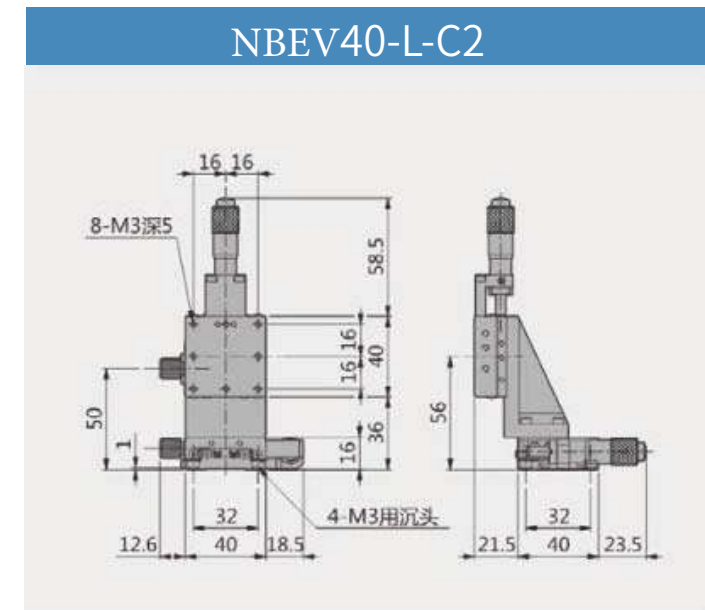
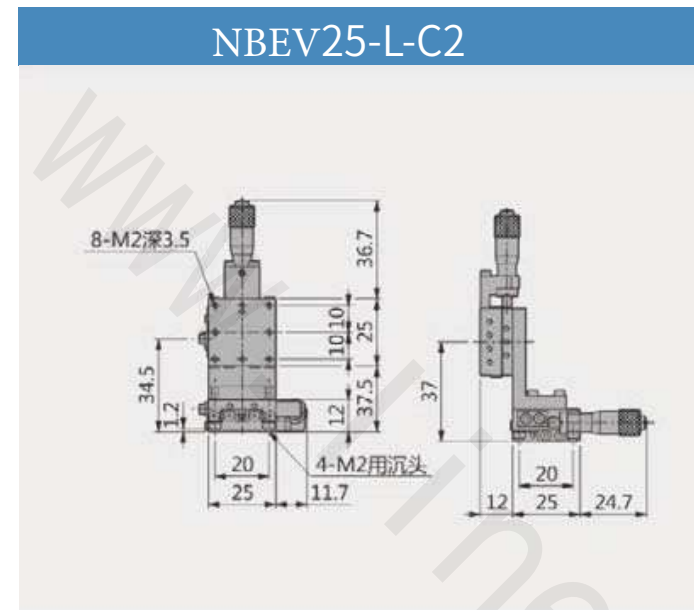
NBEV60-L-C2

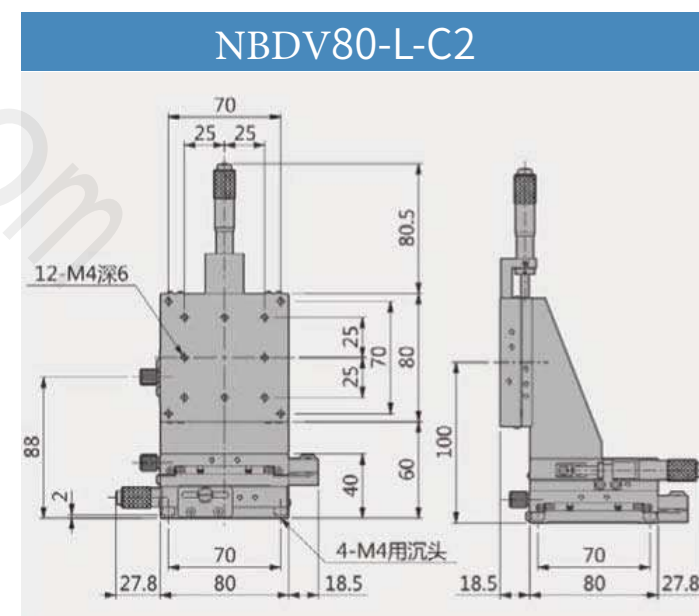
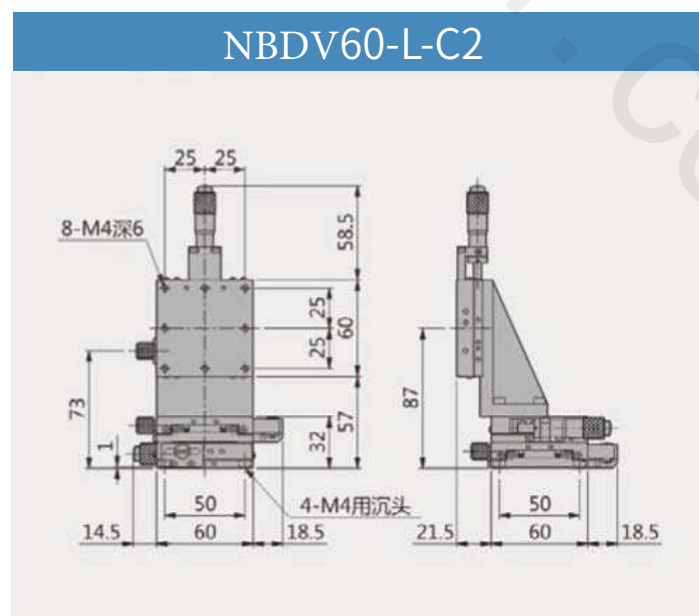
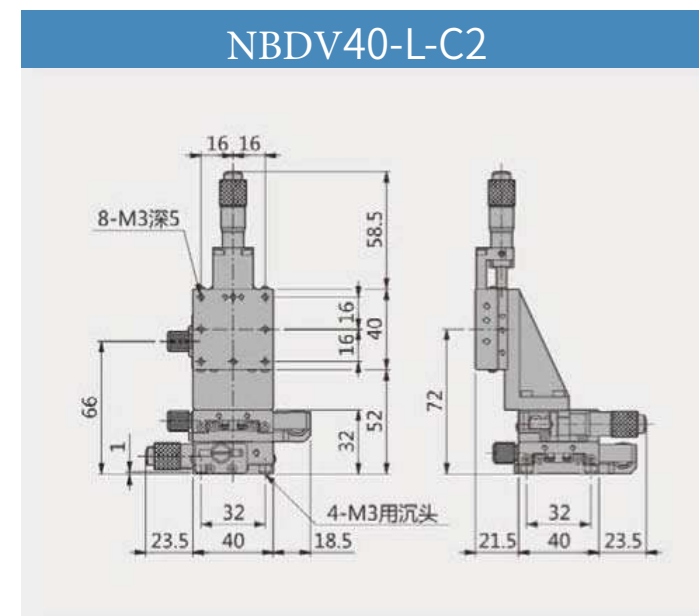
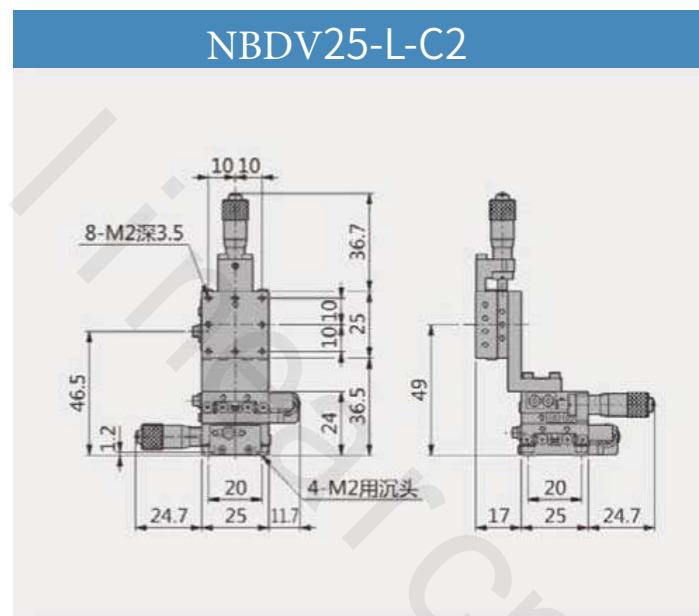


NBEV80-L-C2

Specifications

	NBEV25-L-C2	NBEV40-L-C2	NBEV60-L-C2	NBEV80-L-C2
moving direction	XZ axis in both directions			
table size	25mm×25mm	40mm×40mm	60mm×60mm	80mm×80mm
stroke	±3mm	±6.5mm		±12.5mm
load	9.8N(1kgf)	49N(5kgf)		
minimum scale	0.01mm			
weight	0.16kg	0.55kg	0.98kg	2.10kg





Specifications

	NBDV25-L-C2	NBDV40-L-C2	NBDV60-L-C2	NBDV80-L-C2
moving direction	XYZ axis three directions			
table size	25mm×25mm	40mm×40mm	60mm×60mm	80mm×80mm
stroke	±3mm	±6.5mm		±12.5mm
load	9.8N(1kgf)	49N(5kgf)		
minimum scale	0.01mm			
weight	0.23kg	0.78kg	1.38kg	3.00kg